



BOOK STACKER



Keystone Automation proudly offers their BOOK STACKER for the printing and binding industry. It is designed to accurately and quickly stack perfect bound books. This machine is very similar to the Loach stackers commonly found in many binderies around the world. It utilizes state of the art PLC and servo controls. It will stack books at speeds up to 65 piles per minute. The infeed conveyor runs at 550 feet per minute. The internal discharge conveyor has driven rollers. The welded frame is



KEYSTONEAUTOMATION

Book Stacker





Keystone Book Stacker Specification

- Overall machine length: 128"
- 40" infeed and discharge height
- 18" wide infeed conveyor
- Max book size: 12 1/2" Wide x 20" long
- Minimum book width: 4"
- Max pile height: 8" 10" optional
- Power supply: 240VAC or 480VAC 3 phase
- 24 VDC control voltage
- Cycle time: up to 65 PILES per minute.
- Max speed of incoming belt: 550 feet/minute
- Max single book weight: 10 lb
- 10 week delivery on standard machines

Keystone Book Stacker Features

Control system:

- Operator interface for start/stop controls, flip delay, pusher delay, book count, speed and torque controls.
- Allen-Bradley Micrologix PLC standard
- Emerson Control Techniques servo motors and Red Lion touch screen standard.
- Infeed jam and discharge backup faults. External tie-in for upstream and downstream tie-in.
- Red/Green stack light indicates operational mode.
- Emergency stop, control power and manual flip buttons on both sides.
- Dual book counter photo eyes ensure correct count
- Ethernet port to export data to front office or web.
- High speed servo motors operate the flippers:
- Adjustable flipper speed and torque from touch screen
- Quicker jam response – less breakage of flipper fingers
- No belts used – flippers automatically reset to home position after jam – **NO NEED TO JUMP BELTS AFTER A JAM!**
- Ability to change position of fingers – can be set slightly elevated, horizontal or declined.



Keystone Book Stacker Features

Other Features:

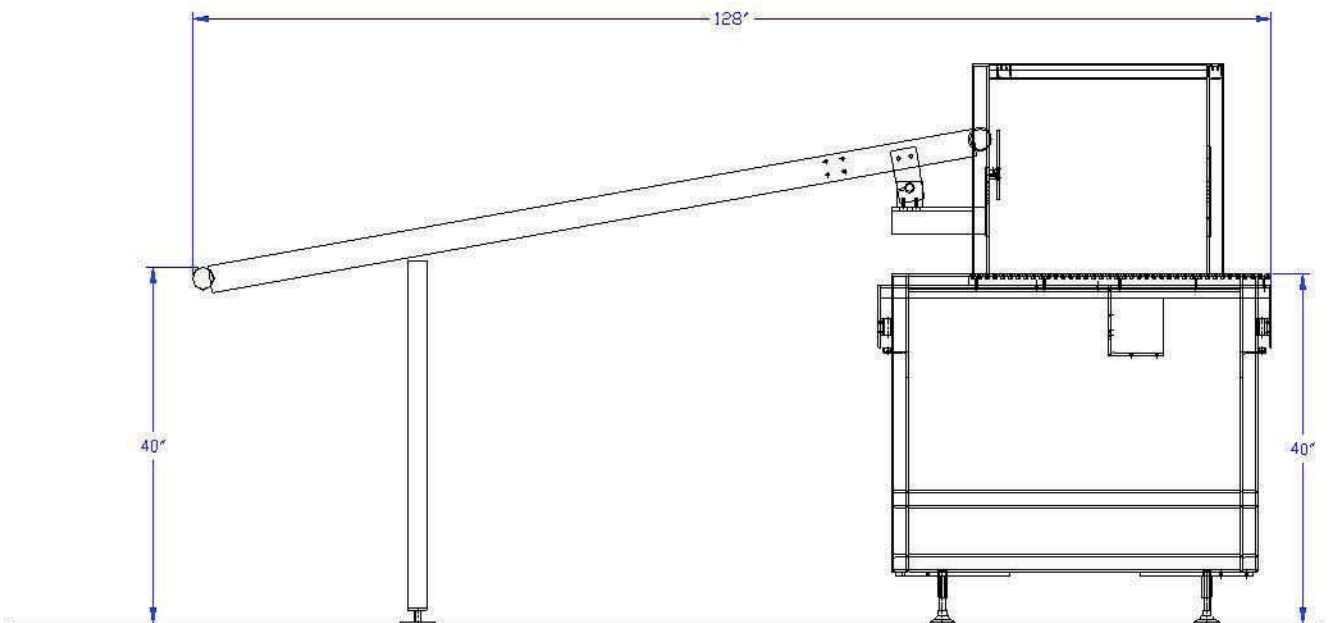
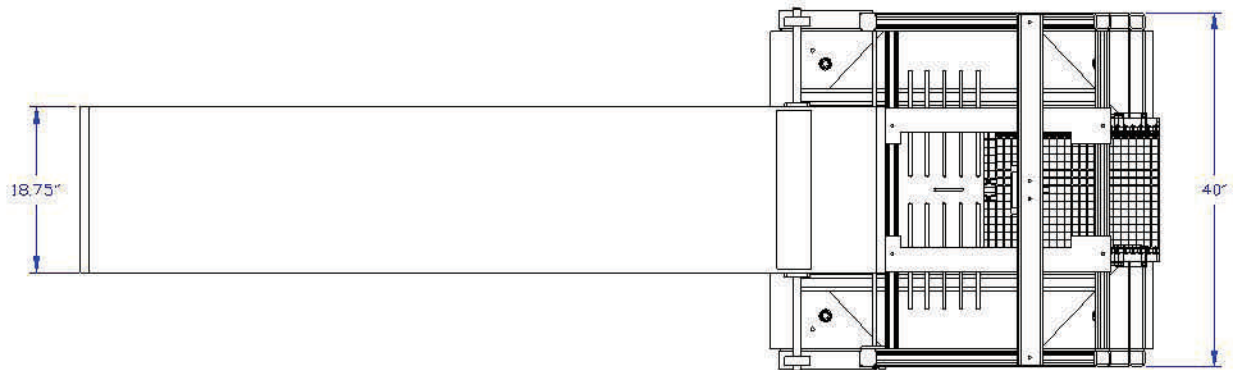
- Heavy duty long lasting Festo brand pneumatic slide.
- Built in air cushions limit harsh stops
- Flow controls for adjustable traverse speed
- Forward and reverse jam logic
- Push time is adjustable from operator panel allowing for higher speed pushes
- Heavy duty welded construction.
- Frame is constructed of 2" square 1/4" thick steel tubing.
- Adjustable height support feet.
- Easily adjustable side frames and back stop.
- Unique drop zone design allows for removal of jammed books through the doors – no more reaching over the top.
- Infeed belt has adjustable side guides and cover hold down strap standard.
- Infeed belt has ‘limited slip’ feature that allows repositioning of books without losing too much traction – even after extended use and silicone contamination.
- Driven rollers used for rapid book pile discharge.
- Pusher and discharge rollers are mounted on vertical slides with springs. Height of pusher assembly is adjustable for minimal thickness books.

Keystone Book Stacker Options

- Driven book hold down belt for above infeed conveyor
- 10" or greater pile height
- Dual discharge of book piles.
- Larger or smaller book sizes
- Touchscreen control of infeed belt speed
- PLC brand other than Allen-Bradley
- Modem for remote troubleshooting
- UL 508A certification



Keystone Book Stacker Dimensions



Note: 10" pile height model lowers discharge by 2"